

* | 119 kW (160 HP) at 2100 rpm
| (Straight / full turn) 9.0 / 7.8 t
| 1.9 m³

* | 128 kW (172 HP) at 2100 rpm
| (Straight / full turn) 11.0 / 9.5 t
| 2.5 m³



DL200-3 / DL250-3

Wheel Loader



DL 200-3

DL 250-3



Take a tour	pages 4 - 5
Performance	pages 6 - 7
Comfort	pages 8 - 9
Control	pages 10 - 11
Reliability	pages 12 - 13
Maintenance	pages 14 - 15
Technical specifications	pages 16 - 21
Equipment	page 23



DL200-3 & DL250-3 – WE PREPARE THE WAY

DO YOU WANT LOWER RUNNING COSTS, THE MOST EFFICIENT TECHNOLOGY AND FIRST-CLASS OPERATOR COMFORT?

The new DL200-3 & 250-3 leave the competition behind, with technologies that reduce fuel consumption and set new standards for comfort in the cab:

- **EGR technology** ensures the engine meets **Stage IIIB regulations**. Diesel Particulate Filter (DPF) technology provides **cleaned exhaust** gases suitable for environmentally friendly operation even inside buildings and closed areas
- A 4-gear **ZF powershift transmission** delivers the **highest traction** and **lowest fuel consumption**
- Many **extras are standard** to increase **operator comfort**: heated air suspension seat, heated mirrors, load isolation system, automatically reversing fan, and many more...

TAKE A TOUR

Choice of perfectly fitting attachments

Load isolation system included as standard

"Lift arm raise kick-out" and "return to dig" functions operated electronically from inside the cab

Standard 3rd spool

Latest generation ZF axles with automatic limited slip differentials and optional hydraulic differential lock

Load-sensing closed centre hydraulics ensure low fuel consumption and a long service lifetime for components

COMFORT AND CONVENIENCE

- Spacious, comfortable cab
- Heated air suspension seat
- New LCD monitor
- Heated mirrors
- Large storage compartments
- Large windows for better visibility
- Shark antenna
- Rear view camera (option)

POWER AND FUEL EFFICIENCY

- Doosan DL06K engine (119 kW / 128 kW at 2100 rpm)
- High torque at low rpm for better response
- EGR technology provides simplified machine operation with automatic regeneration of DPF, to meet Stage IIIB regulations
- Clutch cut-off via brake pedal
- Power up function via acceleration pedal
- Load sensing hydraulic system
- Auto-idle function



3-stage air filter with Turbo 3 cyclone dust separator

Hydraulically driven, automatically reversing fan as standard

Easy access to maintenance components from the ground.

Fenders, radiator grille, engine bonnet and other parts made of robust steel

4-gear ZF powershift transmission with automatic and manual shift modes

Clean, solid articulation hinge design

DL250-3

More power that lifts productivity to new heights

■ Strength and intelligence – a winning combination

Exceptional power combined with the finest workmanship results in a machine that will perform at the highest level. The DL200-3 & DL250-3 enhance your output from every angle. Impressive digging power and high traction make penetration easy and allow you to tackle the hardest materials.

Work is quick and efficient with a powerful hydraulic system. A new Doosan DL06K engine with EGR technology provides the power you need while meeting Stage IIIB environmental regulations.

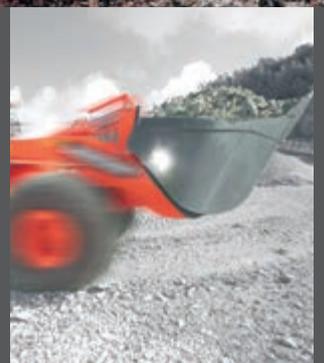


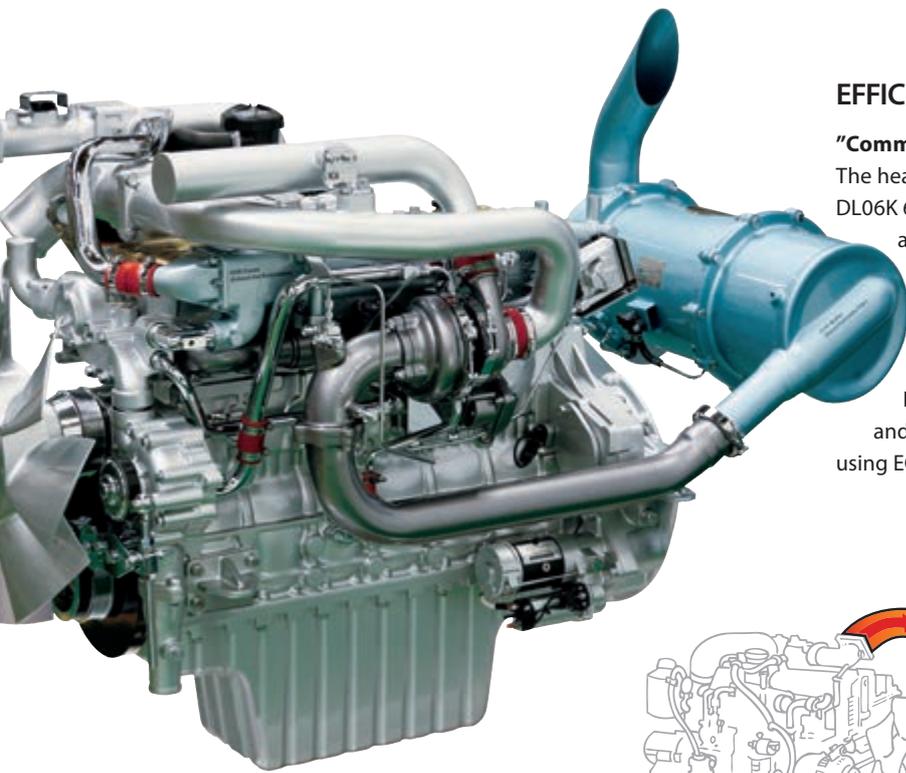
5 ESSENTIAL ASSETS OF DL200-3 AND DL250-3:

- Power: 119 kW and 128 kW at 2100 rpm (SAE J1995)
- Productivity: lift arm raise speed: 5.6 and 6.0 seconds
- Breakout force: 99.0 kN and 121.5 kN
- Dump height at 45°: 2815 mm and 2745 mm
- Maximum steering angle: 40°

Load Isolation System (LIS)

The bucket is suspended using a closed accumulator to reduce material loss as well as stress on the driver and machine structure. The system is automatic and depends on the speed of operation.





EFFICIENT FUEL AND HYDRAULICS MANAGEMENT

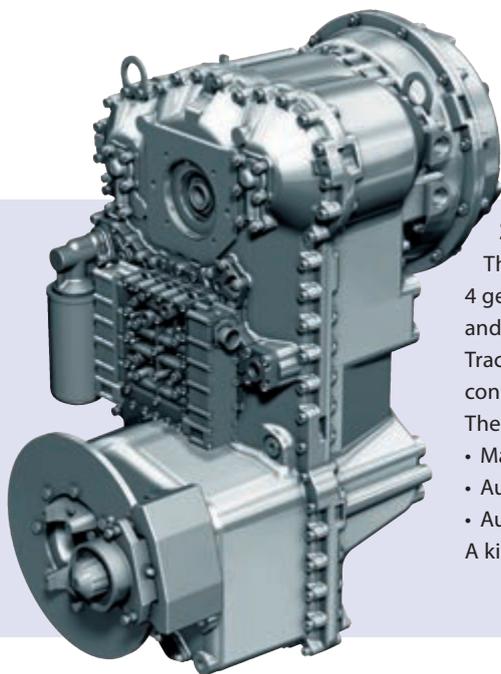
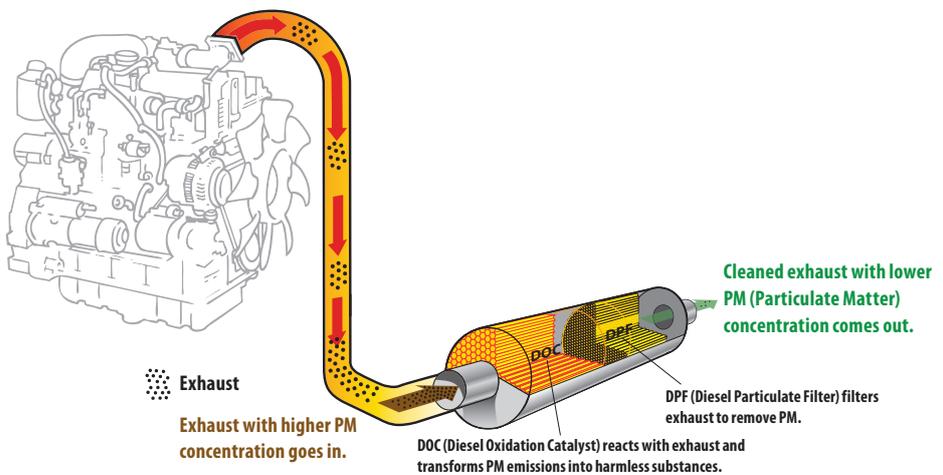
"Common Rail" Doosan DL06K engine

The heart of the DL200-3 & DL250-3 is the "Common Rail" DOOSAN DL06K 6 cylinder engine, carefully designed with common rail injection and 4 valves per cylinder. The engine delivers from 119 kW to 128 kW at only 2100 rpm. Powerful torque allows efficient use of the hydraulic system and faster working cycles.

Already known for its outstanding reliability, the DOOSAN DL06K engine has been optimised for the DL200-3 & DL250-3 and is now compliant with the Stage IIIB European regulations using EGR (Exhaust Gas Recirculation) and DPF (Diesel Particulate Filter).

EGR with DPF

EGR, which requires enhanced cooling capacity, reduces NOx by recirculating exhaust back into the engine. This dilutes the amount of oxygen in the combustion chamber and lowers the combustion peak temperature..



ZF Powershift Transmission

The new Doosan ZF transmission has 4 gears to boost acceleration performance, especially on slopes. The gear ratios are optimised and smooth; shock-free shifts contribute to the high overall level of operator comfort. Traction force is also maximised. Together, these qualities enable a high working speed in all conditions. Excellent penetration power ensures optimum bucket filling during each cycle. The transmission has 3 modes of operation:

- Manual
- Automatic (travelling, 2nd to 4th gear)
- Automatic (working, 1st to 4th gear)

A kick-down function enables manual shifting down in automatic modes.

Load sensing hydraulic system

This system provides maximum hydraulic performance, without producing excess capacity. This saves fuel and extends the lifetime and reliability of vital components such as the pumps and main control valves.



"Z" kinematics

The "Z" form lifting geometry is extremely robust and especially tailored for demanding jobs. Particularly effective in penetrating piles of hard material, it delivers superior breakout force and loader stability. This is achieved with fewer moving parts and reduced stress on components. Performance improves with rapid bucket movements and correct angle positioning in every situation. With greater dumping and lifting speed for the bucket and lift arm, faster cycle times and increased productivity are ensured.



Comfort at its best – take a seat!

■ The workspace you've always wanted

The productivity of your wheel loader is directly linked to the operator's performance. That's why Doosan has placed comfort at the very centre of its design priorities for the DL200-3 & DL250-3. More space, better visibility, air conditioning, a comfortable seat and plenty of storage space make it easy to work for hours without fatigue or discomfort. There's no need to pay extra for the options you want – most of them are standard features on this loader.



Heated air suspension seat

Vertical and horizontal air suspension reduce vibration for maximum operator comfort and less fatigue.



Enhanced view

The front and side windows were enlarged to provide the operator with a better overview of the worksite, especially the areas to the left and right of the bucket.





Air conditioning with climate control

The automatic climate control is newly designed. Its 6000 kcal capacity ensures quick warming up and plenty of cooling power. A recirculated air function is also available.

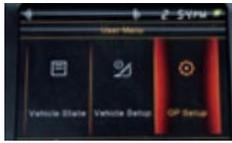


Extras

- ① CD/MP3 radio (optional)
- ② Heated mirrors
- ③ Shark antenna
- ④ Large storage compartments and cool box behind the seat

Expert control for stress-free operation

Power alone is not enough. For maximum efficiency, it needs to be matched by precise control. Our unique range of features allows any operator to get the most out of this impressive machine.



User menu



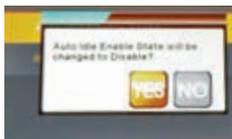
Anti-theft protection



Fan reverse intervals



Monitoring



Auto-idle



Colour LCD monitor panel

The 5.7" LCD panel is suitable for day and night work. The monitor is user-friendly and gives full access to machine settings and maintenance data. Any abnormality is clearly displayed on the screen, allowing you to work safely and confidently with an accurate overview of all conditions.

Gauges

Engine coolant and transmission oil temperatures, fuel and urea (AdBlue®) levels.

ECO bar

Informs the operator about the fuel efficiency of the current driving profile.

Auto-idle

Automatically decreases engine rpm when the controls are not operated.

Tailored performance for maximum efficiency

The DL200-3 & DL250-3 allow you to select from 3 different working modes: ECO, Normal and Power.

It also features a Power-up function which lets the operator switch the machine into a higher working mode with lower transmission shift intervals by fully applying the acceleration pedal.



1 Diesel Particulate Filter (DPF) regeneration system

The DL200-3 and the DL250-3 wheel loaders are equipped with an automatic regeneration system to clean the DPF. This system removes all diesel particulate matter with no need for manual activation. The loader can be operated normally during the regeneration process. It is possible to start the regeneration process manually and automatic regeneration can be stopped if needed.

2 Automatic lift arm kick-out switch

The boom raise kick-down positions create faster cycle times and can be adjusted from within the cab. An optional "return to dig" position is available.

Rear view camera

A camera provides a clear view of what's happening behind the machine for added safety and peace of mind. The monitor is aligned with the rear mirrors.

Central indicator panel

An easy-to-read LCD indicator panel gives the operator full visibility of essential loader functions.





Easy-to-reach control panel

All controls are placed to the right, top and front of the operator. They are clearly positioned for comfortable access and grouped by function, enabling safe, confident operation.



Transmission cut-off

The transmission cut-off function disconnects the driveline from the engine if the brake pedal is engaged. This delivers the full engine power to the hydraulics, speeding up cycle times and boosting fuel efficiency. The brake pressure for activation can be adjusted from inside the cab.

Joystick or fingertip control

The bucket can be moved using a convenient joystick with an FNR switch and kick-down function. The operator can also choose the option of fingertip control.

Doosan reliability – whatever the job!

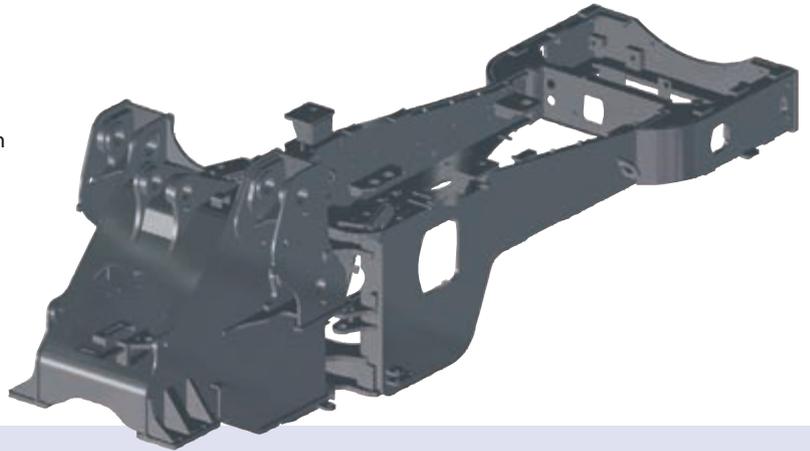
■ Dependable performance for low lifetime cost

Doosan has been building heavy construction equipment for 40 years. This long experience is reflected in the superior design and development of our wheel loaders as well as by an extensive logistics network. Our machines include as standard many features that other manufacturers offer as options.

Designed to last

We pay the highest attention to the design and manufacture of structural components.

Finite Element Analysis is used to ensure an extended lifetime for main structures such as the chassis, joints and lift arm. After modelling, they are subjected to intensive laboratory and field testing in extreme conditions. Ongoing statistical analysis is used to constantly increase the level of reliability.



Limited slip differentials

Limited slip differentials at the front and rear automatically ensure maximum tractive effort and easy driving over soft and muddy ground with no need for a manual differential lock. They also reduce the risk of skidding and prevent excessive tyre wear. The brake discs in the planetary reduction gears are reinforced, ensuring long hours of operation and easy maintenance access.



Hydraulic differential locks

Hydraulic differential locks are available as an option. Two modes are available. In manual mode, the operator can use a foot switch to lock the differential completely. Alternatively, it can be automatically engaged, depending on transmission torque, in the first and second gears.



Auto-lube

The DL200-3 & DL250-3 can be equipped with an SKF automatic central greasing system as an option. Auto lube protects components for a longer machine lifetime.



3rd spool

An auxiliary line for hydraulic attachments is included as standard.



Turbo 3 pre-cleaner

The loader features a 3-stage air filtration system as standard. The Turbo 3 cyclone separator pre-cleans the air before filtering it through an inner and outer filter.



ORFS (O-Ring Face Seal)

All hydraulic lines, including the low pressure circuits, are sealed with ORFS couplings to prevent leaks.



Durable steel parts

Rear parts such as the radiator grille, engine bonnet and fenders are made of solid steel. They are designed for easy repair, reducing the need to replace them in the event of damage.



Articulation hinges

The robust hinges feature a clean, solid design. The articulation angle and steering radius are the best in their class.



Exhaust

The inner exhaust pipe sucks air out of the engine compartment through an outer pipe. This "chimney" effect provides constant air circulation and prevents deposits of flammable material on hot parts.



Cab filter

Double cab filtration ensures a constant supply of fresh air to the cab, even in dusty environments.

Easy maintenance for more uptime

Short and simple maintenance operations at long intervals mean that your machine is available on site when you need it. Our service centre in the heart of Europe has more than 40000 parts in stock to supply you with top quality components as quickly as possible.

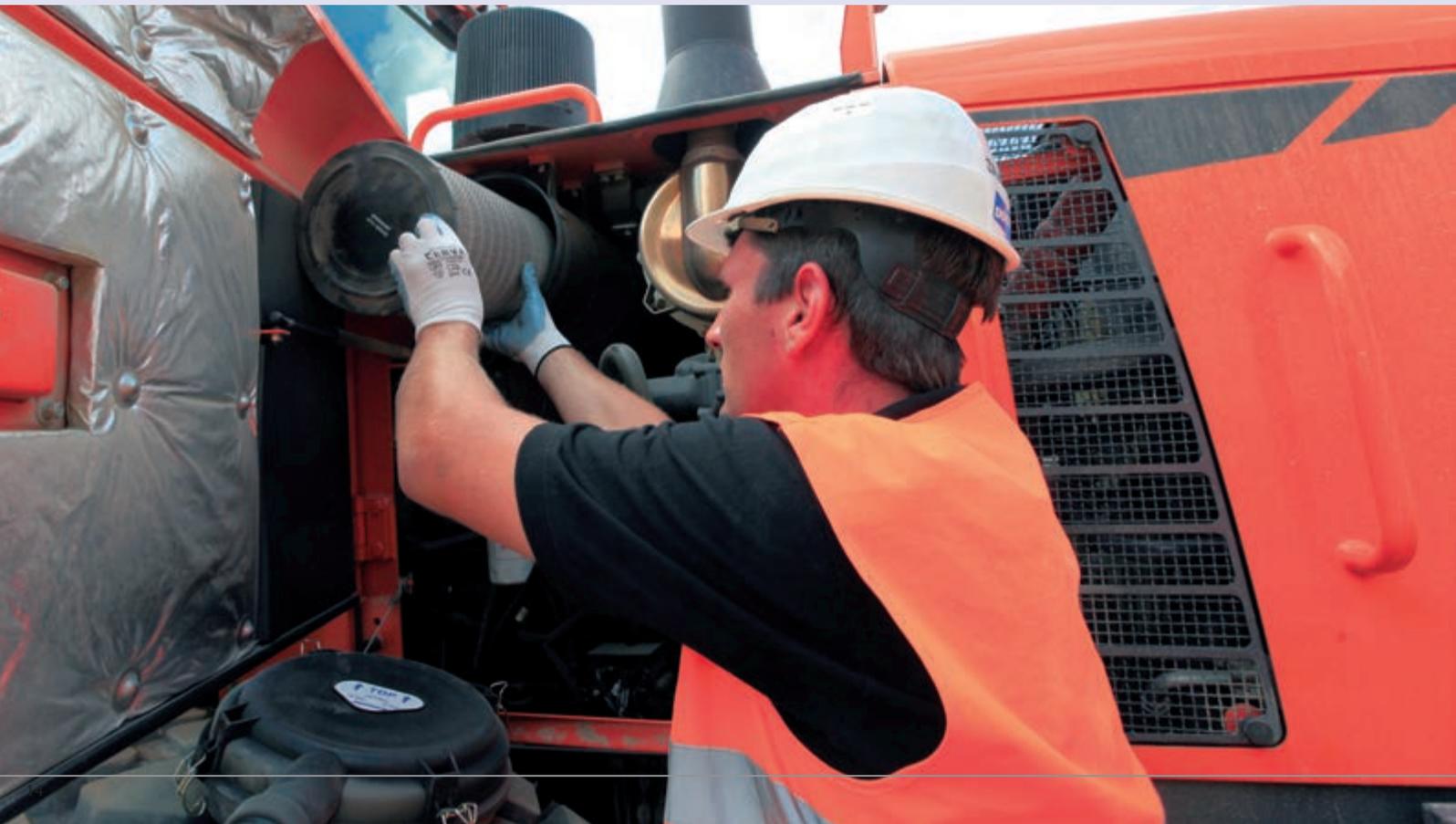
Reversing fan

Standard intervals for fan reverse can be set by the operator from inside the cab. The hydraulic fan motor is controlled by the ECU. Its performance is regulated for lower fuel consumption and shorter warm-up periods.



Accessible components

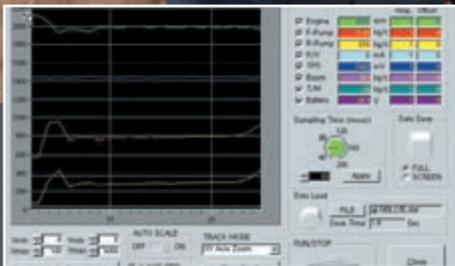
- The front and rear of the radiator are easily accessible. It is made of aluminium for the highest pressure resistance and a long lifetime
- The radiator is in one block. This design offers the best access from both the front and rear





Easy access

All maintenance and control points are easy to reach from ground level.



PC monitoring

A PC monitoring function enables connection to the ECU. Various parameters can be checked during maintenance, including pump pressures, engine rotation and engine speed. These can be saved and printed for analysis.



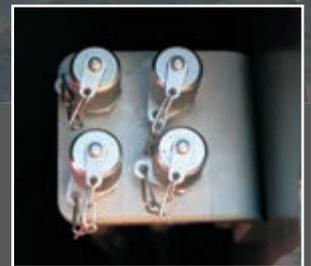
Failure codes

Failure codes and descriptions are clearly communicated to the operator. This reduces the time needed for diagnostics and repair.



Drains

Coolant and engine oil drains make cleaning and changing more convenient.



Hydraulic test points

The pressure test points (main pressure, steering, braking, etc.) are grouped together for easy access.

Technical specifications

* Engine

• Model	Doosan DL06K - EU Stage IIIB compliant - EGR + DPF Turbo-charged, air-to-air intercooled Direct injection Common Rail
• No. of cylinders	6
• Nominal power	DL200-3: 119 kW (160 HP) at 2100 rpm (SAE J1995) DL250-3: 128 kW (172 HP) at 2100 rpm (SAE J1995)
• Maximum power	DL200-3: 119 kW (160 HP) at 2100 rpm (SAE J1995) DL250-3: 128 kW (172 HP) at 2100 rpm (SAE J1995)
• Maximum torque	DL200-3: 75 kgf/m (735 Nm) at 1400 rpm DL250-3: 82 kgf/m (804 Nm) at 1400 rpm
• Engine rpm low / high	DL200-3: 800 ± 25 / 2300 ± 50 rpm DL250-3: 800 ± 20 / 2300 ± 50 rpm
• Piston displacement	5.9 litres
• Bore x stroke	100 mm x 125 mm
• Starter	24 V / 6.0 kW
• Batteries	2 x 12 V / 100 Ah
• Air filter	Double element and pre-filtered Turbo 3 cyclone dust separator with automatic dust evacuation.
• Cooling	Reversing fan to facilitate cleaning. Automatic rotation speed adjustment according to temperature conditions.

* Lift arm

Z-kinematics with simple lifting piston system designed for heavy duty. From 10.0 to 12.3 t breakout force combines with a bucket angle that is maintained throughout the range of movement. Bucket angles are optimised in the travelling position and at ground level. Load Isolation System (LIS) is fitted as standard for improved comfort and output.

Cylinders	Quantity	Bore x rod diameter x stroke (mm)
DL200-3		
Lift	2	110 x 75 x 790
Bucket	1	120 x 75 x 515
DL250-3		
Lift	2	130 x 80 x 785
Bucket	1	145 x 80 x 510

The optional parallel kinematics (tool carrier) provide a constant tilt angle for all lifting to height operations as well as a higher tilting performance at the maximum height. This feature is mandatory when using attachments such as pallet forks.

* Transmission

4-Gear powershift transmission with 3 operating modes: manual, fully automatic or semi-automatic with "kick-down" function. Based on high quality components. Equipped with a modulation system for protection and smooth gear and direction changes. A manual transmission control lever is located to the left of the operator. Direction change function also available in automatic or semi-automatic mode. Transmission can be disengaged by the brake pedal to deliver full engine power to the hydraulics. A safety device prevents the engine from starting if the transmission is not in neutral. Transmission testing and adjustment equipment available. PC-compatible for operation history monitoring.

• Gearbox	DL200-3: ZF 4 WG 160 DL250-3: ZF 4 WG 190
• Torque converter	Simple stage / mono phase / fixed wheel stator
• Speeds km/h	Forward 1 / 2 / 3 / 4: DL200-3: 7.1 / 12.8 / 24.3 / 39.0 DL250-3: 8.1 / 13.7 / 26.5 / 38.0 Reverse 1 / 2 / 3: DL200-3: 7.5 / 13.5 / 25.5 DL250-3: 8.5 / 14.4 / 27.7
• Maximum traction	DL200-3: 11.5 t DL250-3: 13.0 t
• Maximum gradeability	58% / 30°
• Braking distance	DL200-3: 6.3 m at 32 km/h DL250-3: 6.5 m at 32 km/h
• Breakout force	DL200-3: 99.0 kN DL250-3: 121.5 kN

* Axles

• ZF Axles	Fully suspended front and rear drive axles with planetary reduction gears in the hubs. Front and rear equipped with limited slip differentials. Optimum traction in all conditions. From 11.5 to 13.0 t traction power allows operation on slopes of 58%. Front axle Differential Hydraulic Lock available as an option.
• Differential lock ratio	Front (45%) / Rear (45%)
• Oscillation angle	+/- 11°
• Brakes	Dual multi-disc circuit with sintered metal discs for extended service life. Braking system activated by a pump and accumulator circuits. Spring-applied, hydraulically released parking brake mounted on the transmission shaft.

* Hydraulic system

• Main pumps

Axial piston pump with variable flow, load sensing-controlled

• Maximum flow

DL200-3:	160 l/min
DL250-3:	210 l/min

• Operating pressure

250 ± 5 bar

• Pilot system

Automatic functions for positioning the bucket for digging as well as a function for stopping the lift arm at the desired height and low position by manual adjustment by switch are standard.

A simple levelling function is also standard.

• Filters

In the oil return to the tank, the glass fibre filter has a filtering capability of 10 micron.

• Loading cycle (seconds)

Lift arm:		
DL200-3:	up: 5.6 / down: 3.5	
DL250-3:	up: 6.0 / down: 2.7	
Bucket dump:		
DL200-3:	1.1	
DL250-3:	1.3	

* Steering system

Sensing type with flow amplification valve and priority valve.

• Steering angle

40°

• Steering cylinders (2)

Emergency steering system with electric motor-driven hydraulic pump.

Cylinders	Quantity	Bore x rod diameter x stroke (mm)
DL200-3		
Steering	2	70 x 35 x 370
DL250-3		
Steering	2	70 x 45 x 466

* Fluid capacities (litres)

Fuel tank:	
DL200-3:	235
DL250-3:	255
Cooling system:	40
Engine oil:	27
Front axle:	
DL200-3:	21.5
DL250-3:	35.0
Rear axle:	21.5
Hydraulic system:	
DL200-3:	142
DL250-3:	176

* Cab

Spacious modular cab with excellent all-round visibility, ample storage space and cool box. Good overview of the bucket, tyres and loading area. Push button controlled air conditioning and heating with air recirculation function. Double cab air filter installed in the cab with extra protection for the operator in dusty or polluted environments. Viscous suspension mount for maximum comfort. High quality heated seat with air suspension. All operating information clearly displayed in front of the operator. Control functions are centralised on a console on the right. Adjustable seat, arm rests and steering column.

• Doors

1

• Emergency exits

2

• Safety standards

ROPS ISO 3471:2008
FOPS ISO 3449

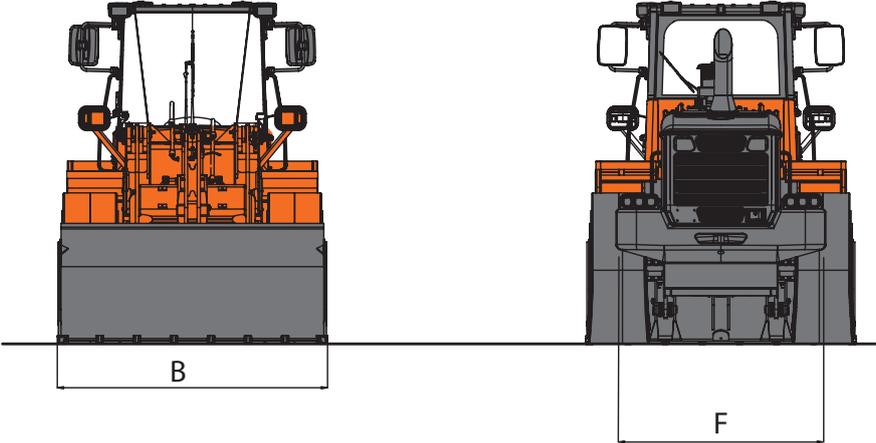
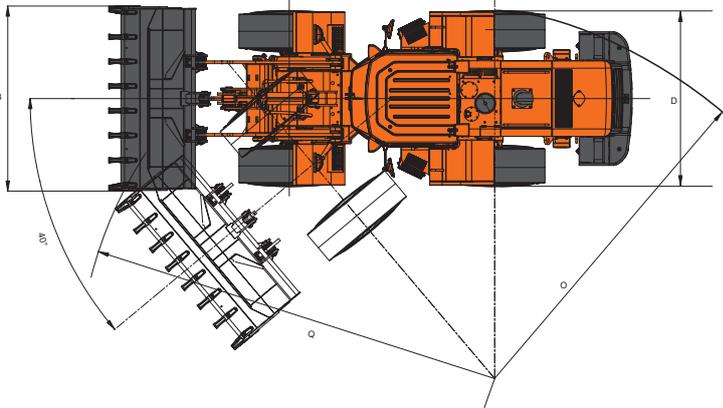
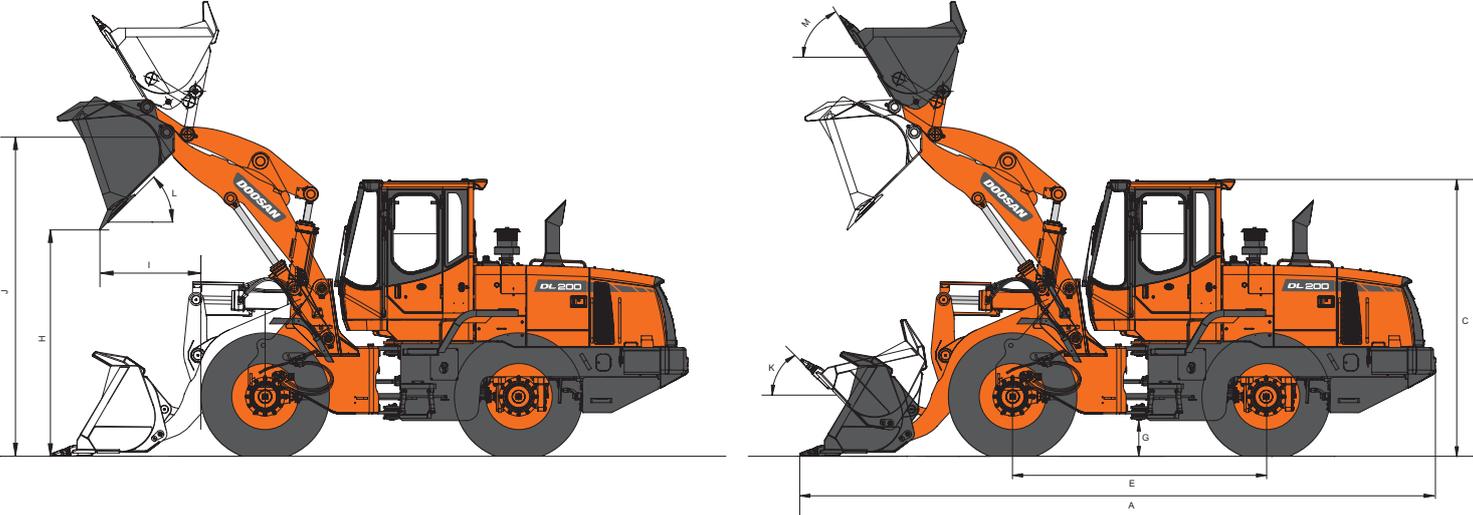
• Noise levels

LWA external noise:	
DL200-3:	103 dB(A) (ISO 6395)
DL250-3:	104 dB(A) (ISO 6395)
LpA operator noise:	72 dB(A) (ISO 6396)

* Pressure settings

Working (pump cut-off):	250 ± 5 bar
Steering relief (LS port side):	175 ± 10 bar
(steering pump side):	200 ± 10 bar
Pilot control:	30 ± 2 bar
Brake accumulator charging:	120~140 bar
Service brake:	60 ± 3 bar
Fan motor:	160 ± 10 bar
Parking brake release:	120 ± 5 bar
Transmission selection pressure:	16 ± 2 bar

Dimensions and operational data



* Dimensions & operational data

DL200-3 – Bucket mounting			Pin-on					
Kinematics			Z-bar				Parallel kinematics (Tool Carrier)	
Tyre size 20.5 R25 (L2)			General purpose		Long lift arm		General purpose	
Configuration			Teeth	Bolt-on edge	Teeth	Bolt-on edge	Teeth	Bolt-on edge
	Capacity heaped ISO/SAE	m ³	1.9	2.0	1.9	2.0	1.9	2.0
B	Bucket width	mm	2550	2550	2550	2550	2550	2550
	Breakout force	kN	99.0	98.8	98.0	98.0	113.9	113.5
	Static tipping load (straight)	kg	9010	8960	8180	8130	8200	8140
	Static tipping load (at 40°)	kg	7800	7760	7090	7040	7100	7050
H	Dump height (at 45° – fully raised)*	mm	2815	2890	3200	3270	2615	2685
I	Dump reach (at 45° – fully raised)*	mm	1065	1000	1100	1040	1010	945
	Dump height (at max. dump) - (at max. reach)*	mm	2785	2860	3185	3260	2595	2665
	Dump reach (at max. dump) - (at max. reach)*	mm	1010	950	1080	1020	970	910
	Digging depth	mm	90	90	200	200	75	75
J	Height at bucket pivot point	mm	3860	3860	4240	4240	3810	3810
K	Max. tilt angle in carry position	°	48	48	51	51	48	48
M	Max. tilt angle fully raised	°	59	59	61	61	53	53
	Max. tilt angle on ground	°	42	42	43	43	46	46
	Max. tilt angle at max. reach	°	58	58	58	58	43	43
	Max. dump angle at max. reach	°	65	65	60	60	93	93
	Max. dump angle on ground	°	64	64	63	63	68	68
L	Max. dump angle fully raised	°	48	48	46	46	47	47
O	External radius at tyre side	mm	5245	5245	5245	5245	5245	5245
Q	External radius at bucket edge	mm	5815	5785	5995	5965	5800	5770
E	Wheel base	mm	2900	2900	2900	2900	2900	2900
D	Width at tyres	mm	2530	2530	2530	2530	2530	2530
F	Tread	mm	1930	1930	1930	1930	1930	1930
G	Ground clearance (at 12° osc.)	mm	435	435	435	435	435	435
A	Overall length	mm	7340	7245	7885	7795	7410	7315
C	Overall height	mm	3280	3280	3280	3280	3280	3280
	Operating weight	kg	12110	12160	12670	12720	12110	12170

DL250-3 – Bucket mounting			Pin-on							
Kinematics			Z-bar				Parallel kinematics (Tool Carrier)			
Tyre size 20.5 R25 (L2)			General purpose		Long lift arm		General purpose			
Configuration			Teeth	Bolt-on edge	Teeth	Bolt-on edge	Teeth	Bolt-on edge	Teeth	Bolt-on edge
	Capacity heaped ISO/SAE	m ³	2.5	2.6	2.7	2.8	2.5	2.6	2.5	2.6
B	Bucket width	mm	2740	2740	2740	2740	2740	2740	2740	2740
	Breakout force	kN	121.5	120.9	121.3	120.7	114.9	114.2	115.9	115.6
	Static tipping load (straight)	kg	10960	10840	10920	10800	9610	9490	9060	8930
	Static tipping load (at 40°)	kg	9510	9400	9480	9380	8340	8240	7880	7770
H	Dump height (at 45° – fully raised)*	mm	2745	2825	2710	2785	3170	3250	2670	2750
I	Dump reach (at 45° – fully raised)*	mm	1225	1155	1260	1190	1245	1175	1370	1300
	Dump height (at max. dump) - (at max. reach)*	mm	2725	2805	2685	2765	3155	3235	2600	2685
	Dump reach (at max. dump) - (at max. reach)*	mm	1190	1120	1225	1160	1225	1155	1255	1195
	Digging depth	mm	115	115	115	115	215	215	85	85
J	Height at bucket pivot point	mm	3900	3900	3900	3900	4325	4325	3935	3935
K	Max. tilt angle in carry position	°	49	49	49	49	48	48	48	48
M	Max. tilt angle fully raised	°	61	61	61	61	58	58	51	51
	Max. tilt angle on ground	°	43	43	43	43	40	40	43	43
	Max. tilt angle at max. reach	°	61	61	61	61	57	57	41	41
	Max. dump angle at max. reach	°	67	67	67	67	68	68	95	95
	Max. dump angle on ground	°	67	67	67	67	77	77	69	69
L	Max. dump angle fully raised	°	47	47	47	47	46	46	50	50
O	External radius at tyre side	mm	5475	5475	5475	5475	5475	5475	5475	5475
Q	External radius at bucket edge	mm	6095	6070	6110	6085	6315	6285	5855	5815
E	Wheel base	mm	3020	3020	3020	3020	3020	3020	3020	3020
D	Width at tyres	mm	2640	2640	2640	2640	2640	2640	2640	2640
F	Tread	mm	2040	2040	2040	2040	2040	2040	2040	2040
G	Ground clearance (at 12° osc.)	mm	415	415	415	415	415	415	415	415
A	Overall length	mm	7715	7610	7770	7665	8285	8180	7945	7840
C	Overall height	mm	3280	3280	3280	3280	3280	3280	3280	3280
	Operating weight	kg	14320	14440	14350	14470	14760	14870	14280	14410

* Measured to the tip of the bucket teeth or bolt-on edge. All dimensions given with 20.5 R25 (L2) tyres.

Attachments

* Attachments

Whether direct-mounted or with quick-coupler, all our attachments are of the same high quality as the machines themselves, to make a perfect match offering better durability and the optimum level of productivity. Doosan genuine attachments will be the best partners for your Doosan wheel loader!



Bucket, light material

Ideally suited for materials such as corn, silage, hay, cottonseed, snow.



Bucket, general purpose

General purpose buckets provide good all-round performance for stockpiling, rehandling, excavating and other material-handling operations.



Bucket, heavy-duty

Especially useful in demolition or recycling.



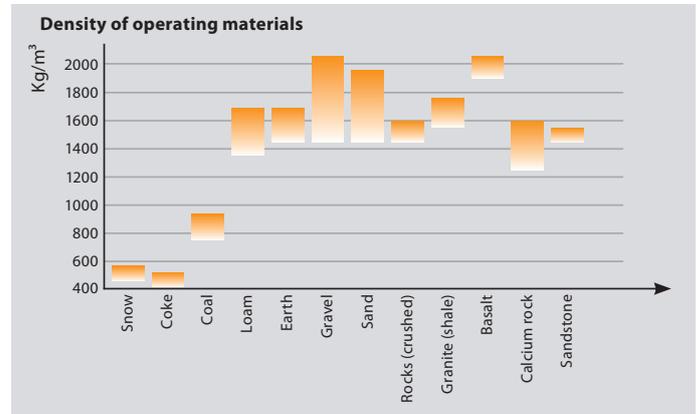
Pallet forks

For loading and unloading different types of pallets as well as normal forklift operations.



Quick-coupler

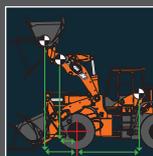
Particularly interesting when the machine has a wide variety of jobs to carry out, this hydraulic quick coupler enables a fast and safe change of different attachments.



The specific weight of the material largely depends on the level of humidity, the degree of compaction, composition, etc.

ADAPTED TO THE TIPPING LOAD

To ensure the stability and safe operation of the machine.



PERFECT FIT GUARANTEED

To ensure an easy and quick installation of attachments on the machine without wasting time looking for specific connectors.



OPERATOR VIEW

Optimized visibility of the attachment ensures safe and easy operation.



KINEMATICS SIMULATION

- prevents collisions or kinematic lock-out
- ensures the bucket stops moving when it should
- ensures forces are transferred from the bucket to the carrier in the right directions
- ensures optimum digging, crowding and dumping angles

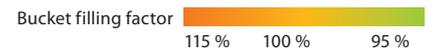


* Bucket selection chart DL200-3

Lift arm	Bucket	m ³	Material Density [t/m ³]										
			1.0	1.1	1.2	1.3	1.4	1.5	1.6	1.7	1.8	1.9	2.0
Standard lift arm	General purpose	Tooth	1.9	2.2 m ³ — 1.8 m ³									
		Cutting edge tooth	2.0	2.3 m ³ — 1.9 m ³									
	Grading	Tooth	1.9	2.2 m ³ — 1.8 m ³									
		Cutting edge tooth	2.0	2.3 m ³ — 1.9 m ³									
High lift arm	General purpose	Tooth	1.9	2.2 m ³ — 1.8 m ³									
		Cutting edge tooth	2.0	2.3 m ³ — 1.9 m ³									
	Grading	Tooth	1.9	2.2 m ³ — 1.8 m ³									
		Cutting edge tooth	2.0	2.3 m ³ — 1.9 m ³									

* Bucket selection chart DL250-3

Lift arm	Bucket	m ³	Material Density [t/m ³]										
			1.0	1.1	1.2	1.3	1.4	1.5	1.6	1.7	1.8	1.9	2.0
Standard lift arm	General purpose	Tooth	2.5	2.9 m ³ — 2.4 m ³									
		Cutting edge tooth	2.6	3.0 m ³ — 2.5 m ³									
		Tooth	2.7	3.1 m ³ — 2.6 m ³									
	Grading	Cutting edge tooth	2.8	3.2 m ³ — 2.7 m ³									
		Tooth	2.5	2.9 m ³ — 2.4 m ³									
		Cutting edge tooth	2.6	3.0 m ³ — 2.5 m ³									
High lift arm	General purpose	Tooth	2.5	2.9 m ³ — 2.4 m ³									
		Cutting edge tooth	2.6	3.0 m ³ — 2.5 m ³									
	Grading	Tooth	2.5	2.9 m ³ — 2.4 m ³									
		Cutting edge tooth	2.6	3.0 m ³ — 2.5 m ³									



Compliant with ISO 14397-1 (2007)

The filling factor depends on the type of material, the working conditions and the experience of the operator.





* Standard equipment

Engine
Three-stage air cleaner with cyclone pre-cleaner
Water separator
Fuel filter
Hydraulically driven fan, automatically reversing
External drains for engine oil and coolant changes
Engine power mode selector switch (Standard / Economy & Power mode)
Self-diagnosis system
Power-up pedal function by full stroke of acceleration
Lifting and hydraulic system
Robust Z bar lifting system
General purpose bucket
Hydraulic control valve with 3 spools
Automatic lift arm kick-out
Levelling function
Fast couplers for hydraulic check
Variable displacement load sensing pump
Mono control lever (FNR)
Additional lever for 3rd function
Load isolation system (LIS)
Automatic return to dig
Steering system
Emergency steering pump driven by electric motor
Load sensing
External equipment
Bottom protection plates
Lifting hooks
Articulation lock in the transport position
Towing hitch
Tool compartment
Front semi-fender + rear full fenders
Wheel chocks
Lift arm float kick-out
Electric system
Alternator 60 A / 24 V
Work lights: 2 at the front and 4 at the rear (6 x 70 W)
Travel lights: low and high beam
Tail indicators, stop, reversing lights
Reverse travel alarm
Rotating beacon
Drive line and brake system
Transmission clutch cut-off via the brake pedal
Transmission with self-diagnosis and monitoring indicator, plus electronic plug for fast adjustment
Transmission mode selector switch (Manual / Auto 1 ↔ 4 / Auto 2 ↔ 4 with kick-down)
Starting safety system
Limited slip differentials on front and rear axles
Dual brake circuits with accumulator
Tyres: 20.5 R25 (L2)
Dual service brake pedals
Parking brake on the transmission, spring-applied hydraulic release
Cab
ROPS cab (SAE J 394, SAE 1040, ISO 3471)
FOPS cab (SAE J 231, ISO 3449)
Air conditioning with climate control
Double filtered air cab
Air suspension seat with safety belt
Adjustable steering column (inclination & telescopic)
Floor mat
Tinted glass
Left sliding window
Front and rear wiper and washer
Sun visor
Interior cab light
Interior rear view mirrors and heated side mirrors
Machine monitoring (dials, gauges and lamps)
Horn
Cigarette lighter and 12 Volt power socket
Cup holder
Multiple storage compartments
Shark antenna
Loudspeakers and connections for radio

* Optional equipment

Engine
Diesel heater
Tyres
L3, L4, L5, various brands
Lifting and hydraulic system
Three hydraulic levers with FNR switch
4 th hydraulic circuit
Electric system
Additional lighting
Fuel filling pump
Cab
Video system with colour LCD and O Lux camera
Radio / CD / MP3
Fuel heater switch
External equipment
Full fenders with rubber protection
Additional counterweight
Hydraulic differential lock on front axles
Long lift arm
Parallel kinematics (Tool Carrier)
Auto-lube system
Mudguards



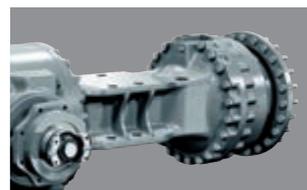
Long lift arm
Better dump reach and height at bucket pivot point.



Parallel kinematics (Tool Carrier)
Provides maximum force for high reach and a constant tilt angle of the attachment at any height.



Fingertip control
3-lever control for lift arm, bucket and 3rd circuit. FNR switch for changing travel direction as well as kick-down, return to dig, lift arm raise kick-out and floating mode.



Hydraulic differential lock
For automatic (depending on transmission torque) or manual differential lock.



Heavy-duty tyre
To ensure the best performance of your machine in the toughest conditions.

Some of these options may be standard in some markets. Some of these options may not be available for certain markets. Please check with your local DOOSAN dealer for more information about availability or to adapt your machine to your application needs.

Doosan Infracore

The pulse of transformation



Construction Equipment

Machine Tools

Engines

The spirit of challenge and innovation has led Doosan. We started out as a small store in Seoul in 1896 and have expanded into a global company. Today we are engaged in the infrastructure support business (ISB), which encompasses industrial facilities, machinery, heavy equipment and construction. You can also see the Doosan brand in various other industries.

You are invited to take a closer look at the new world that is being built by Doosan, visit us at: www.doosaninfracore.com and www.doosanequipment.eu

Doosan Infracore Construction Equipment

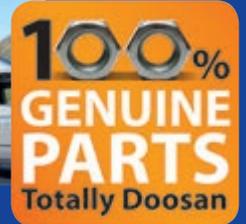
A partner you can trust



**Finance
your
ambitions**



www.doosanequipment.eu



Financial Solutions

Doosan Infracore Financial Services (DI FS) is specialised in creating financing solutions to meet a wide variety of needs. Contact your local dealer for more information.

Always a dealer near you

Our well-developed dealer network has the knowledge and experience to take the best care of our Doosan customers. No matter where you are, you'll get the service you expect - and can rely on!

Parts & Service

- Complete parts & service support for all Doosan products
- Highest quality genuine parts
- Large, dedicated staff of factory-trained aftermarket professionals in the field

Specifications and design are subject to change without notice. Pictures of Doosan products may show other than standard equipment.



www.doosanequipment.eu

